

Segment Table



PRODUCT FACTS

The MDF table top is varnished in black or white, or walnut-veneered. Metal legs are fully following the lines of the legs on upholstered elements from the same collection and thus make it an ideal member of this "family".

designed by NUMEN/FORUSE

TECHNICAL FEATURES

Panel	MDF lacquered
Legs	Metal coated



KODU



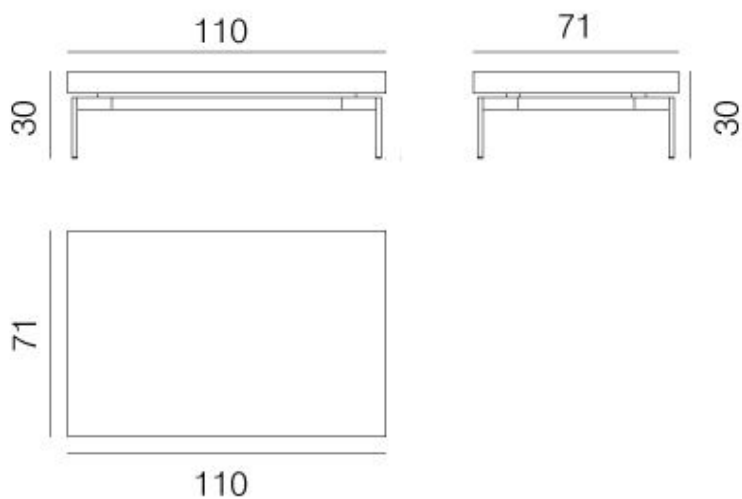
KONTOR



AVALIK RUUM

prostoria

SEGMENT / TABLE



KODU



KONTOR



AVALIK RUUM